



grip^{SYSTEMS}

Making Packaging Faster

Take control,
get a grip.

www.grip-systems.com



About Us

Here at Grip Systems, we design and create all our products with the operator in mind. With a focus on improving the efficiency of your operations, we have a range of different products that work together as a system to maximise your packing process.

Our Grip Film Magnetised Dispenser System was introduced when we recognised how much time and effort was required to manually hand wrap a pallet, whilst posing a serious health and safety risk on the operator. The film tensioning system led to further new and innovative product developments to improve the efficiency of the whole packing operation.

The team at Grip are committed to a sustainable future, striving to meet the needs of our clients whilst protecting the environment and promoting the use of sustainable resources. We are continuously adding to and developing our Eco range, helping clients reduce waste and improve the sustainability of their packaging.

Today, Grip works with a network of distributors to improve the safety and efficiency of thousands of warehouse operations, globally.

“
The Grip Film system is proven to be
40% more efficient than traditional
hand wrapping methods... ”



Where to find us.

North America

Compack USA
HoneyPack
Keypak
Pantero

UK & IRELAND

Allpack
Acopia
Bonus Trading
Eastpac
Hub Packaging
Kwikpac
Plus Packaging

EUROPE

Erico Packaging
Emballage Direct
EnviroGroup
OZG Group AG
Ecopak Global
Galea Worldwide

AUSTRALASIA

Primepac Industrial
TigerPak
Powerpak
Azapak

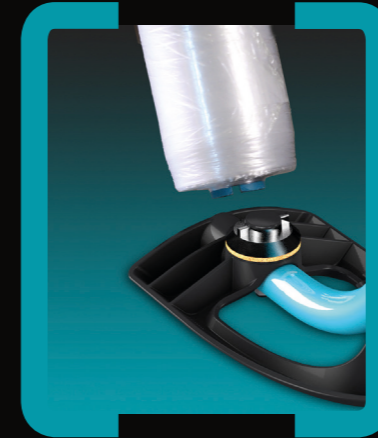


GRIP APPLICATOR

Save **40%**

**SUPER FAST TWIST LOCK
RAPID ROLL CHANGE SYSTEM.**

Proven to bring 40% savings
in cost, film used per pallet,
downtime and wastage.



SECURE NON-SLIP CORE RETENTION

THE ROBUST GRIP CORE IS DESIGNED
TO INTERFACE SEAMLESSLY WITH THE
GRIP FILM DISPENSER.



MAGNETISED APPLICATOR

PERFECT FOR ON THE GO, WITH UP TO
A 15KG PULL, FIX YOUR APPLICATOR
TO ANY METAL SURFACE AROUND THE
WORKPLACE.



TWIST LOCK, TENSION MECHANISM

EASILY SET THE PERFECT FILM TEN-
SION WITH THE TWIST-LOCK KNOB.

[grip[®]film]

self-gripping stretch film

PREMIUM

Self-gripping hand film

400mm x 420m
Heavy Duty
Clear Blown, Pre-stretched

SUPERIOR

Self-gripping hand film

400mm x 480m
Medium Duty
Clear Blown, Pre-stretched

ELITE

Self-gripping hand film

400mm x 550m
Light Duty
Clear Blown, Pre-stretched



[grip[®]film eco]

CARBON NEUTRAL stretch film



PREMIUM ECO

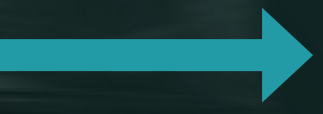
High Duty
400mm x 420m
CLEAR BLOWN
Pre-stretched

SUPERIOR ECO

Medium Duty
400mm x 480m
CLEAR BLOWN
Pre-stretched

ELITE ECO

Light Duty
400mm x 550m
CLEAR BLOWN
Pre-stretched



CAST FILM

The high strength Grip Film that only sticks to itself. Cast film has a silent unwind and a high puncture resistancy.

Clearer than blown film, Grip Film Cast allows for better optics and identification through the film.



GRIP FILM CLASSIC

Light Duty
400mm x 480m

GRIP FILM CARBON

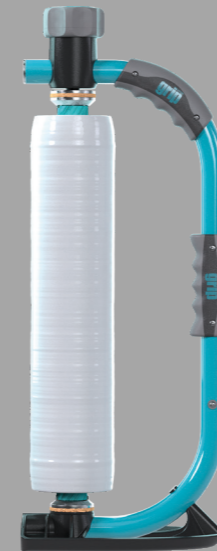
Heavy Duty
400mm x 420m

gripfilm
OPAQUE



WHITE ROBUST FILM

Heavy Duty
400mm x 280m



BLACK ROBUST FILM

Heavy Duty
400mm x 280m



COLOURED TINTS
PRE-STRETCHED
BLOWN FILM
MEDIUM DUTY
400MM X 480M

COLOURS

PINK



BLACK



GREEN



ORANGE



YELLOW



BLUE



RED



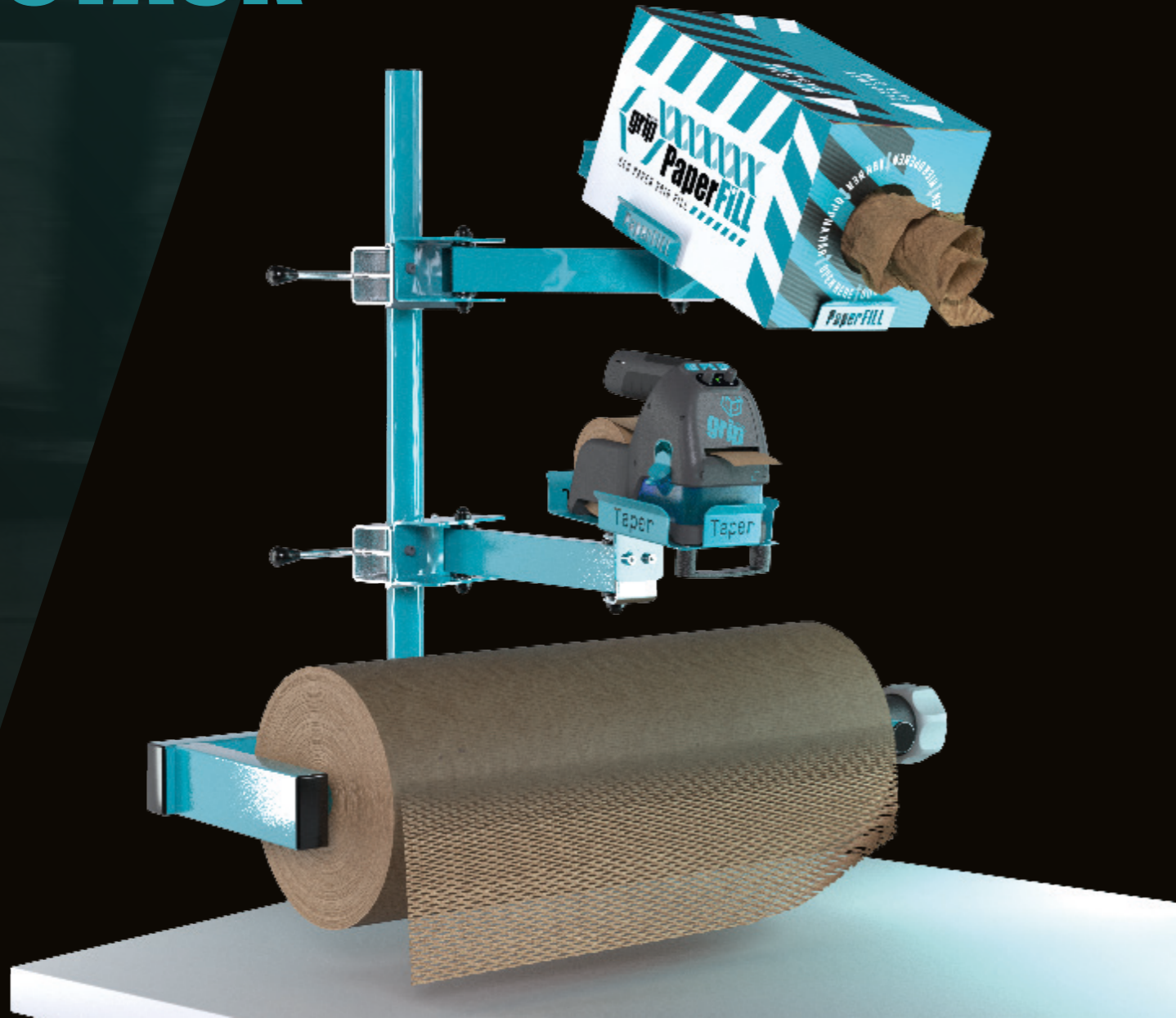
PURPLE



COLOURS



THE GRIP STACK

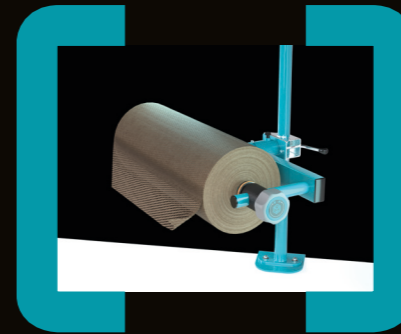


GRIP PAPERFILL



The eco-friendly, fast void fill system, requiring no equipment or refilling. Pre-packed and ready to use, with no pre-cut lengths to avoid waste.

STACK PAPERFLEX



100% recyclable protective honeycomb paper wrap. A sustainable alternative to bubble and foam, easy to dispense with the Grip tension mechanism.

DESK PAPERFLEX



Portable, desk-mounted protective paper wrap, 100% recyclable. The tessellating hexagon shapes interlock to firmly secure products.





THE WORLD'S MOST **VERSATILE**, WATER ACTIVATED TAPE DISPENSER.

Overcome the limitations of desktop machines, with this go-anywhere battery operated tape dispenser.

With multiple tape length options and ejection speeds, the Grip Taper was designed to maximise the efficiency of any packaging operation.

Simple to use, fast roll change system designed to run seamlessly with the biodegradable reinforced Grip paper tape.

As part of the Grip Stack, the elevated machine allows for a clear and organised workspace.



[gripmailer]



MAILER BAG
320 x 455mm

40MM PERM SEAL
WITH 2 HOLES

MAILER BAG
360 x 555mm

40MM PERM SEAL
WITH 2 HOLES

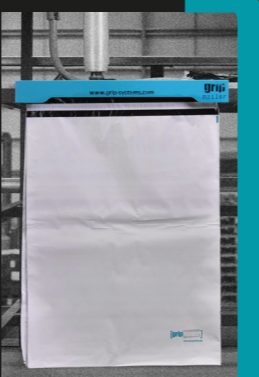


MAILER BAG
465 x 655mm

40MM PERM SEAL
WITH 2 HOLES

MAILER BAG
550 x 720mm

40MM PERM SEAL
WITH 2 HOLES



THE RAPID MAIL FULFILLMENT SYSTEM

The low cost packaging solution to quickly, simply and safely expedite mailing operations. Stick or screw the dispenser to the workbench and simply adjust to fit the desired bag size.

CORE COLLECTION

Facilitating closed loop recycling across the globe with our core collect and recycle pallet boxes. Talk to your nearest distributor to get more details on your regional recycling program.



CONVERSION CHART

MM	INCHES
50	1.97
100	3.94
200	7.87
300	11.81
400	15.75
500	19.69
1000	39.37

M	FOOT
10	32.80
100	328.08
200	656.17
280	918.64
400	1312.34
420	1377.95
480	1574.80
500	1640.42
550	1804.46

MICRON	GAUGE
5	20
6	24
9	35
15	60
17	67